

B. W. SINCLAIR, INC.

P.O. Box 1111

Wichita Falls TX 76307-1111

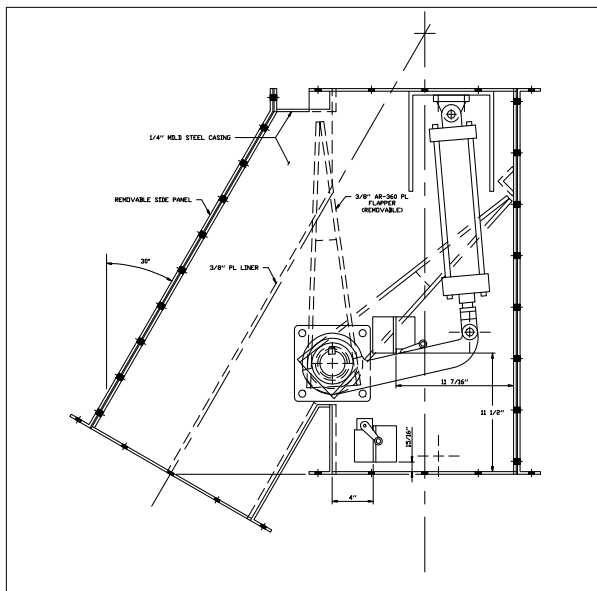
Phone 940/766-2556

Fax 940/766-0430

SINGLE BLADE DIVERTERS

Bulletin 1000.001

The **SINCLAIR Model 1000-SBD Single Blade Diverter** offers positive in-line product routing of granular and powdered bulk materials. The heavy-duty plate construction and abrasion-resistant blade design provide long service life in even the most severe conditions. Manual or automatic actuation systems are available to meet your process requirements.



Single Offset Cullet Diverter with Pneumatic Actuator, Solenoid, Limit Switches and Replaceable 400 Bhn Liners

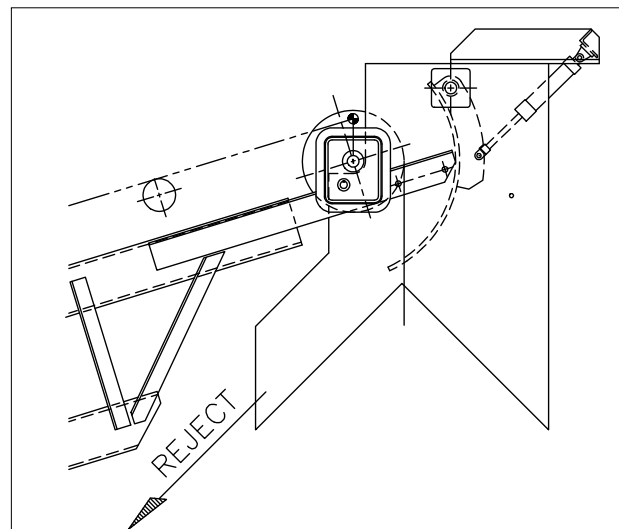
STANDARD FEATURES --- 1000 SBD:

- Heavy steel plate jig-built housing
- Square inlet and outlet flanges
- Continuous welding
- Blade shaft seals
- Anti-friction flange bearings
- 250 Bhn Diverter Blade
- Lever Arm actuator
- Complete factory assembly
- SSPC-SP3 surface preparation
- Grey enamel external coating
- Range-of-Motion testing
- **SINCLAIR Quality**

CUSTOM FEATURES...

The **1000 SBD** is available in custom configurations, or in standard models outfitted with numerous special features. Examples of optional accessories include:

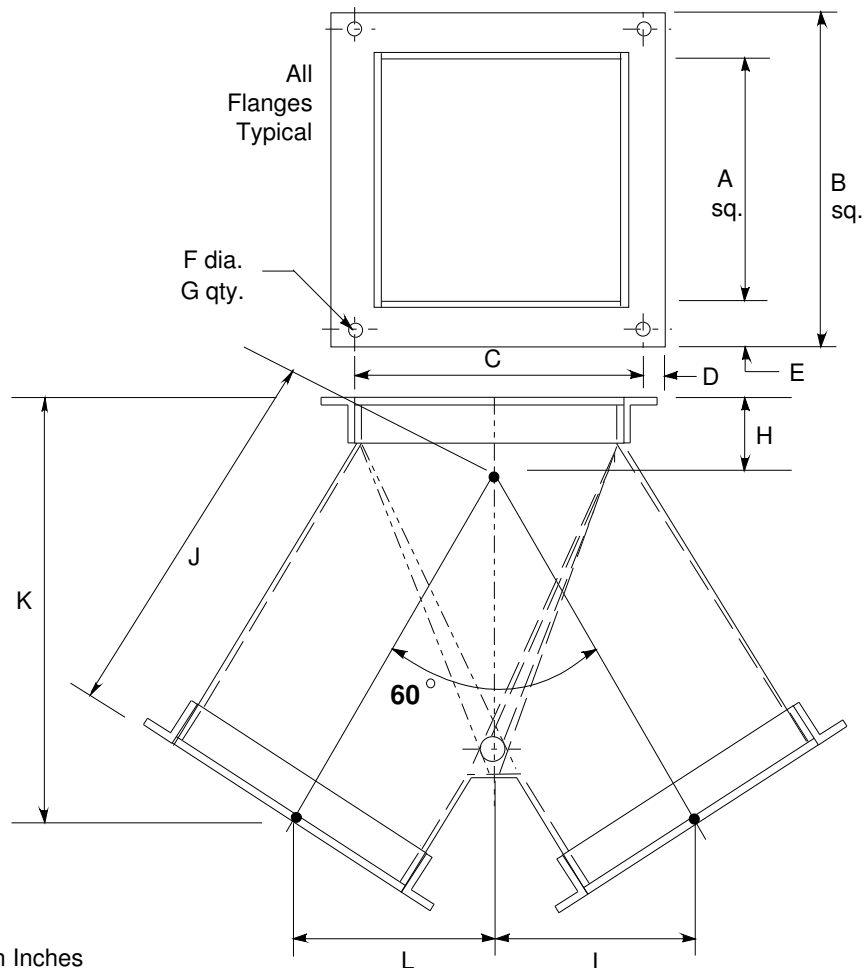
- T-304-SS or -316-SS construction
- Abrasion Resistant plate housing
- High temperature design
- Special weld finishes
- Automatic actuation systems (see p.4)
- Control instrumentation
- **SINCLAIR "SQA" Quick Access Doors**
- Square-to-Round flange adapters
- Inlet and outlet chute extensions
- Lexan® view ports
- 3-Way, Twin Blade Diverter designs
- Single Offset Models (see p.4)



Special Fast-Acting Curved Blade Cullet Diverter used as Reject Mechanism on SINCLAIR Model 424-MD Belt Conveyor fitted with Metal Detector. Overhung Curved Blade design guarantees minimum reject percentage.

60° INCLUDED SINGLE BLADE

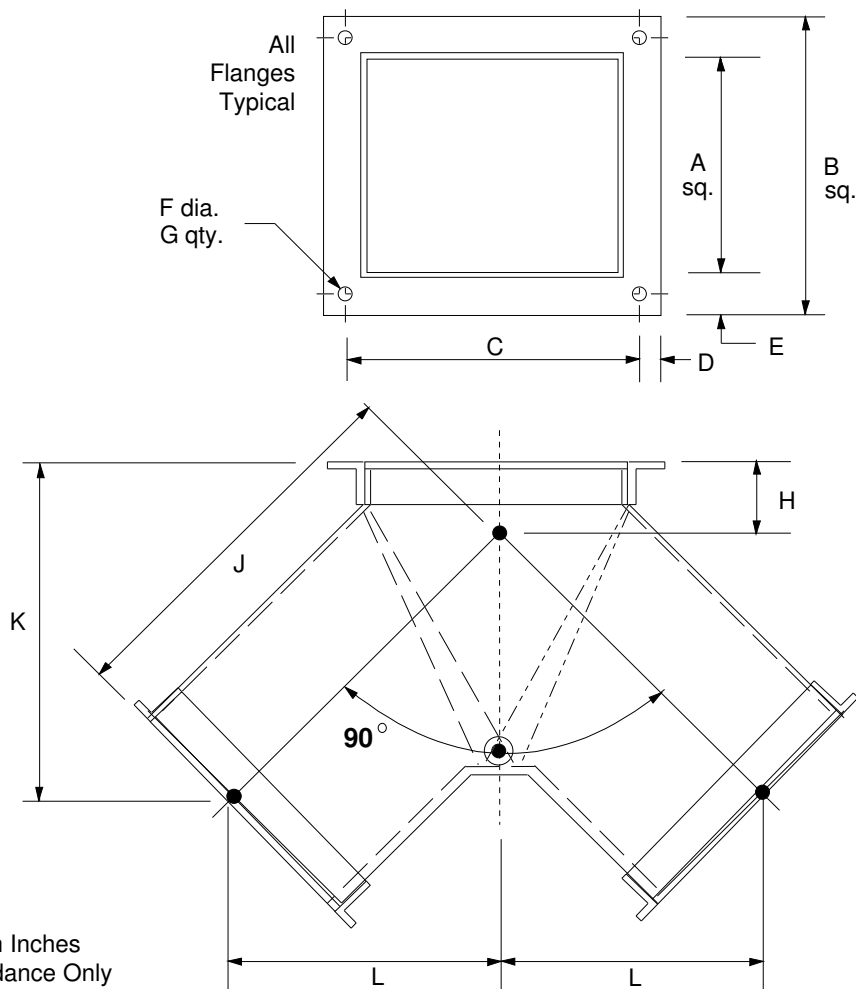
Model	A	B	C	D	E	F	G	H	J	K	L
1006SB6	6	9-1/2	2@4-1/8	5/8	1-3/4	7/16	8	2-1/2	11-5/8	12-9/16	5-13/16
1008SB6	8	11-1/2	2@5-1/8	5/8	1-3/4	7/16	8	2-7/8	13-5/16	14-3/8	6-5/8
1010SB6	10	13-1/2	3@4-1/8	9/16	1-3/4	7/16	12	3	15	16	7-1/2
1012SB6	12	15-1/2	3@4-3/4	5/8	1-3/4	7/16	12	3-3/8	16-3/4	17-7/8	8-3/8
1014SB6	14	18-3/8	4@4-3/16	13/16	2-3/16	9/16	16	3-15/16	19-3/8	20-5/8	9-11/16
1016SB6	16	20-3/8	4@4-11/16	13/16	2-3/16	9/16	16	4-3/16	21-1/8	22-1/2	10-9/16
1018SB6	18	22-3/8	4@5-3/16	13/16	2-3/16	9/16	16	4-7/16	22-3/4	24-1/4	11-7/16
1024SB6	24	29-1/2	4@6-7/8	1	2-3/4	9/16	16	5-3/4	29	31	14-1/2
1030SB6	30	35-1/2	5@6-3/4	7/8	2-3/4	9/16	20	6-9/16	34-3/16	36-1/4	17-1/8
1036SB6	36	44-3/4	6@7	1-3/8	4-3/8	11/16	24	8-15/16	42-3/16	45-1/2	21-1/8
1048SB6	48	59	8@6-7/8	2	5-1/2	13/16	32	11-9/16	54-9/16	58-3/4	27-5/16



All Dimensions in Inches
For General Guidance Only

90° INCLUDED SINGLE BLADE

Model	A	B	C	D	E	F	G	H	J	K	L
1006SB9	6	9-1/2	2@4-1/8	5/8	1-3/4	7/16	8	2-13/16	9-11/16	9-11/16	6-7/8
1008SB9	8	11-1/2	2@5-1/8	5/8	1-3/4	7/16	8	3-1/4	10-5/8	10-11/16	7-9/16
1010SB9	10	13-1/2	3@4-1/8	9/16	1-3/4	7/16	12	3-5/8	11-5/8	11-7/8	8-1/4
1012SB9	12	15-1/2	3@4-3/4	5/8	1-3/4	7/16	12	4-1/16	12-5/8	13	8-15/16
1014SB9	14	18-3/8	4@4-3/16	13/16	2-3/16	9/16	16	4-15/16	14-3/16	15	10
1016SB9	16	20-3/8	4@4-11/16	13/16	2-3/16	9/16	16	5-3/8	15-3/16	16-1/8	10-3/4
1018SB9	18	22-3/8	4@5-3/16	13/16	2-3/16	9/16	16	5-13/16	16-3/16	17-1/4	11-7/16
1024SB9	24	29-1/2	4@6-7/8	1	2-3/4	9/16	16	7-9/16	19-3/4	21-1/2	14
1030SB9	30	35-1/2	5@6-3/4	7/8	2-3/4	9/16	20	8-13/16	22-3/4	24-7/8	16-1/8
1036SB9	36	44-3/4	6@7	1-3/8	4-3/8	11/16	24	11-5/8	27-3/8	31	19-3/8
1048SB9	48	59	8@6-7/8	2	5-1/2	13/16	32	15-1/8	34-1/2	39-1/2	24-3/8

L


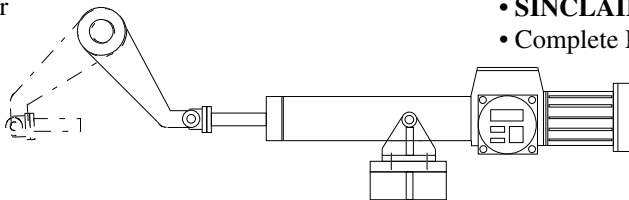
CUSTOM OPTIONS

OPTIONS AND ACCESSORIES:

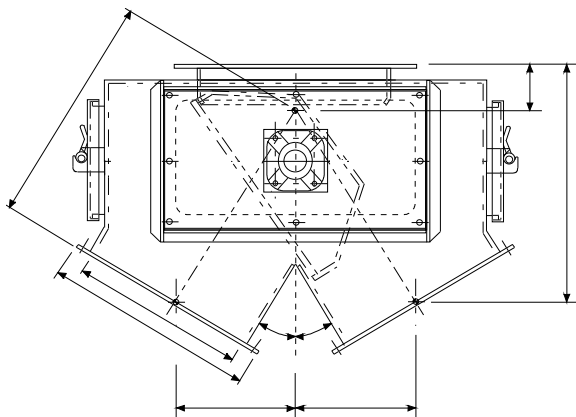
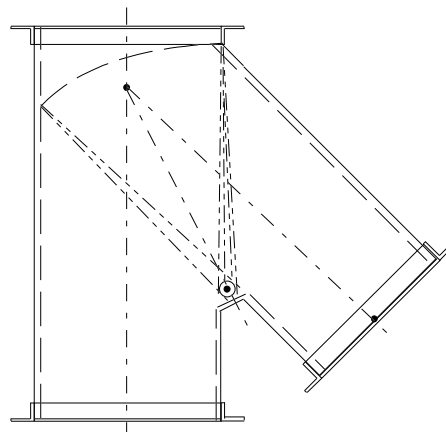
Actuation Systems:

- Hand or Chain wheel
- Air Cylinder
- Hydraulic Cylinder
- Linear or Rotary Actuator
- Gearmotor

- Gland seals
- Pillow block bearings
- Round inlet and outlets
- **SINCLAIR "SQA" Doors**
- **Model 1100** Cam-Roller Isolation Gates
- Control Instruments and Feedbacks
- **SINCLAIR** Local Control Enclosures
- Complete Material Handling Systems



The **SINCLAIR 1000 SBD** is also available in **Single Offset** configurations, with one vertical leg and one diversion leg offset at either a 45 or 60 degree angle. Such design is often required for retrofit applications where secondary process lines necessitate intermediate product diversion. The Single Offset models are available with the same features which characterize the Included Angle units, and a full line of custom accessories can be fitted to the diverters. Contact **SINCLAIR** Engineering for layout and dimensional information.



SINCLAIR also offers the Model **1000-BV2 Bucket Valve Diverter** as illustrated by our *Bulletin 1000.002*. The 1000-BV2 offers positive material routing from inlet to either outlet because the material is contained within our unique "Bucket" blade. Since the product is contained within the bucket wings, material does not build up on the walls of the housing. The low-profile design and higher center of gravity require less actuator torque, and every unit comes complete with twin "SQA" doors for quick access.